



SEMI AUTOMATIC SHIRT FINISHER MOD SR 1000 V



The true alternative in small dry-cleaning shops and laundries for quality and productivity in the finishing of ironing men's or women's shirts, smocks, doctor's suit, jackets and overcoats.

Features and strength

- Strong and complete steam distribution , moistens the fabric to remove creases
- Hot air blowing presses and dries the fabric
- Front and rear paddle to hold the garment in place
- Time switch programmed through digital electronic control panel
- Automatic stretching ahead and upright of the arms and clamps
- Return and sleeve stretching by air operated regulation
- Adjustable air blowing to comply at garment variety
- Supplied with a pair of sleeves and clamps
- Built-in vacuum motor for simply installation
- For shirts, jacket and doctor suits processing
- Productivity 40 pc/h
- Super heating device

Mains options

- Water spray gun

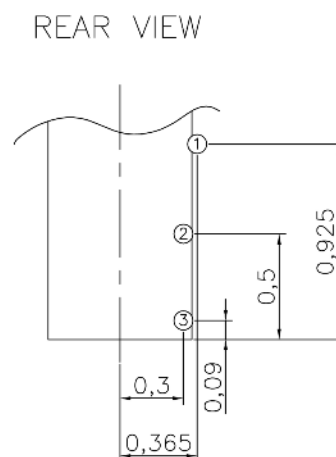
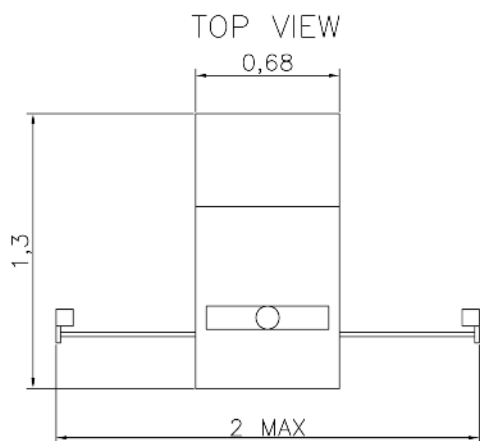


Made in Italy with Italian Fashion Mind



TECHNICAL FEATURES SR 1000

Electric Connections		Mod SR 1000V
Standard voltage		
400V-3Ph-50Hz	kW	4
other voltages available on request		
Vacuum motor power	kW	2,2
Super heating device	kW	1
Steam and air connection		
Steam inlet	inch	1/2 "
Steam outlet	inch	1/2 "
Steam supply	Kpa	400 - 600
Steam supply	bar	6
Steam consumption	kg/h	25-30
Compressed Air inlet	inch	1/4 "
Compressed Air supply	Kpa	600-800
Compressed Air supply	bar	6
Shipping details		
Packing type		Pallet+carton box
Packing size	mm	1500 x 1000 x 2000H
Net weight	kg	200
Gross weight	kg	250



③	CONDENSATION RETURN	1/2" F
②	STEAM	1/2" F
①	AIR INLET	∅ 8mm



ROTONDI group Srl
 Via Fratelli Rosselli, 14/16
 20019 Settimo Milanese (Milano) - Italia
 Tel. (+39) 02.335.01.224 - Fax (+39) 02.335.01.329
 E-mail: rotondi@rotondigroup.it
www.rotondigroup.com

Agente: